

Art. 8KC/380 Digiphone kit with telephone interface

GENERAL DIRECTIONS FOR INSTALLATION

In order to achieve the best results from the schematics described it is necessary to install only original VIDEX equipment, strictly keeping to the items indicated on each schematic and follow these General Directions for Installation:

- The system must be installed according to national rules in force, in any case the running of cables of any intercom unit must be carried out separately from the mains (see the next paragraph for connection to mains and power supply installation);
- All multipair cables should be compliant to CW1308 specification (0.5mm twisted pair telephone cable).
- Cables for speech line and service should have a max resistance of 10Ω
- Lock release wires should be doubled up (Lock release wires and power supply wires should have a max resistance of 3Ω);
- The cables sizes above can be used for distances up to 50m. On distances above 50m the cable sizes should be increased to keep the overall resistance of the cable below the RESISTANCES indicated above;
- Double check the connections before power up;
- Power up the system then check all functions.

CONNECTION TO MAINS AND POWER SUPPLY MOUNTING INSTRUCTIONS

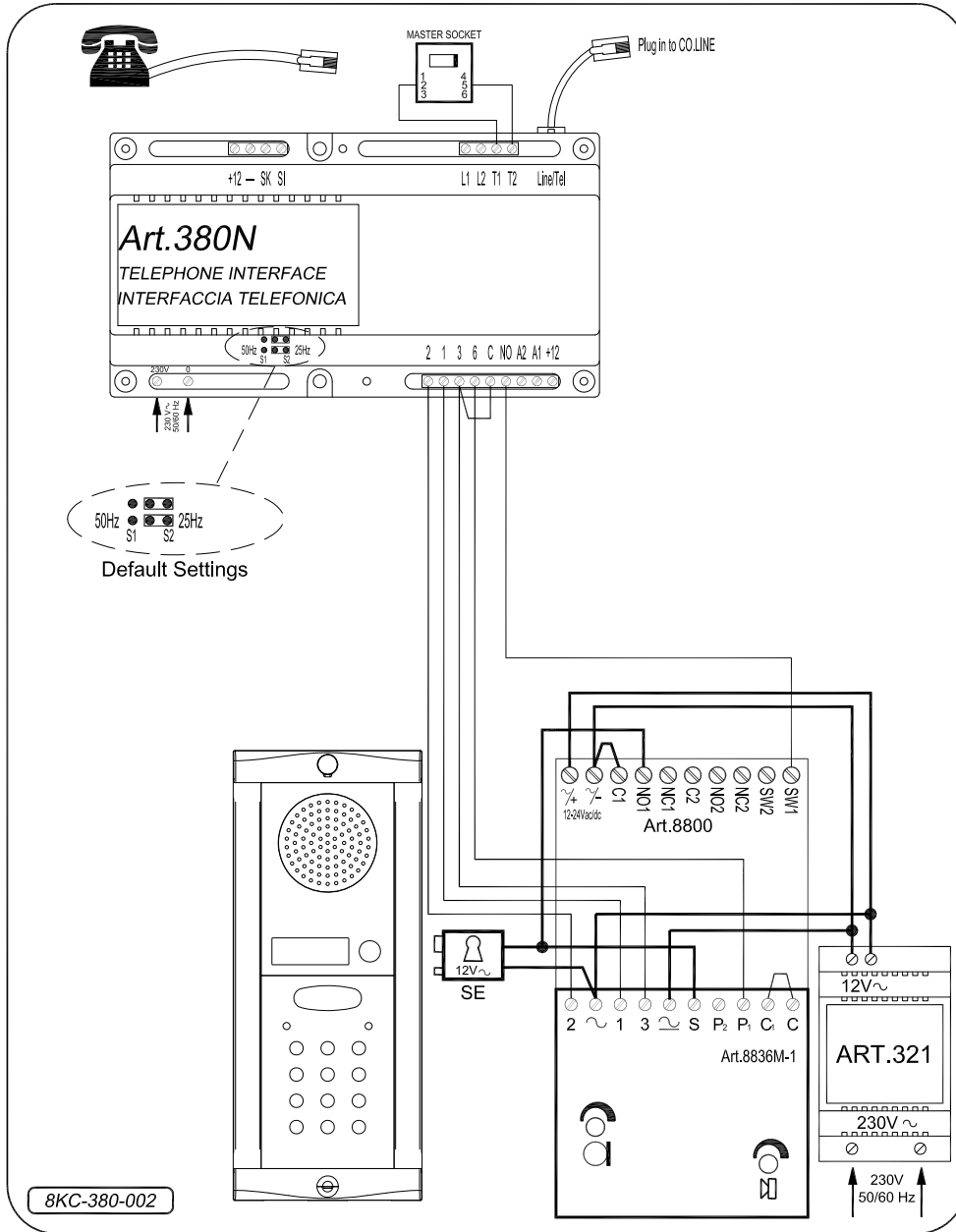
The system must be installed according to national rules in force, in particular we recommend to:

- Connect the system to the mains through an **all-pole circuit breaker** which shall have contact separation of at least 3mm in each pole and shall disconnect all poles simultaneously;
- **The all-pole circuit breaker** shall be placed for easy access and the switch shall remain readily operable.

POWER SUPPLY INSTALLATION

- Remove the terminal side covers by unscrewing the retaining screws;
- Fix the power supply to a DIN bar or directly to the wall using two expansion type screws;
- Switch off the mains using the circuit breaker mentioned above and then make the connections as shown on the installation diagrams;
- Check the connections and secure the wires into the terminals;
- Replace the terminal covers and fix them using the relevant screws;
- When all connections are made, restore the mains.

KIT INTERFACE AUDIO - TELEPHONE 8KC-1/380 8KC-1S/380



ART.380N

- Interfaccia telefonica
- Telephone interface
- Telefon interface
- Interface téléphonique
- Interface telephone

ART.321

- Trasformatore
- Trasformer
- Trafo
- Transformateur
- Transformador
- Transformador

ART.8836M-1

- Modulo portiere elettrico
- Speaker unit module
- Aussenstelle mit Sprechereinheit
- Groupe phonie
- Unidad de habla/Botonera con parlante

ART.VX8800

- Tastiera digitale apriporta
- Codelock
- Codeschloß Modul
- Clavier de codage
- Modulo botonera digitale abrepuerta

SE

- Serratura elettrica (non inclusa)
- Electric lock (not included)
- Elektrisches Turschloß (nicht imbegriffen)
- Serrure électrique (non includ)
- Cerradura eléctrica (no incluida)

IMPORTANTE!

ESEGUIRE I COLLEGAMENTI
COME DA SCHEMA

IMPORTANT!

SYSTEM MUST BE WIRED
AS PER INSTRUCTION

IMPORTANT!

REALISER LES CABLAGES COMME
INDIQUÉ SUR LE SCHEMA

WICHTIG!

VERCABELUNG GEMASS DES
SCHEMAS DURCHFUHREN!

IMPORTANTE!

EFECTUAR LAS CONEXIONES
SEGUN EL ESQUEMA!

**We recommend
This equipment is
installed by a
Competent Electrician,
Security or
Communication Engineer**

Art. 8800 - Art. 8800-3 Digital codelock module

DESCRIPTION

Access control system with 2 codes and 2 Relay outputs for Art. 8800 (3 codes and 3 Relay outputs for Art. 8800-3).

- Engineer's code to enter into the "Programming Menu" (from 4 to 8 digits).
- Programming of the activation time of each relay from 1 up to 99 seconds or latching.
- Possibility to activate relay 1 by shorting terminal "SW1" to GND and relay 2 by shorting terminal "SW2" to GND. Both relays will operate for the programmed time.
- Keypad gives an acoustic (buzzer) signal during the entering of codes and a continuous melody for 4 or more seconds, according to the number of mistakes (self protection).
- Keypad includes panel illumination and 2 LED's to show the following:
 - » Correct relay code (green LED on for 2 seconds).
 - » Red LED to indicate when in the "programming menu".

MODELS

Art. 8800: Module 2 Relay with keypad illumination LEDs

Art. 8800-3: Module 3 Relay with keypad illumination LEDs

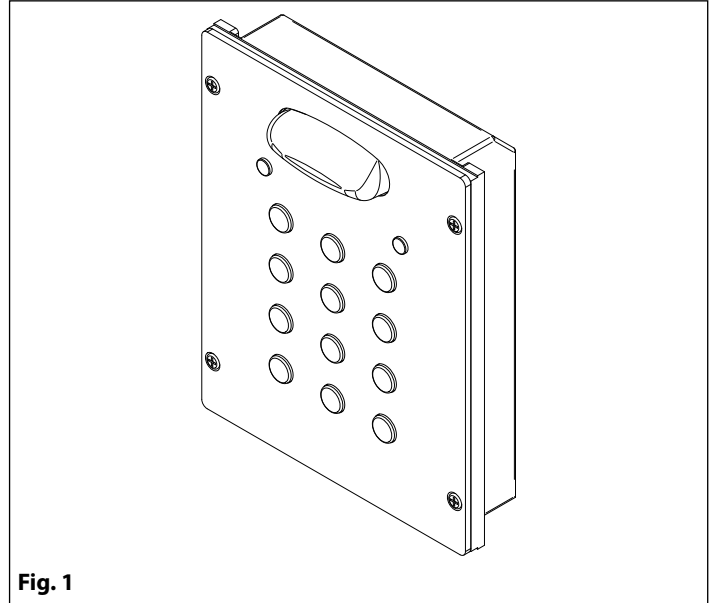


Fig. 1

OPERATION

To use the system, type in the programmed code and press "ENTER", the green LED will illuminate and the relay will operate for the programmed time. To cancel remain open time, type in the same code and press "CLEAR". If a wrong code is entered, a continuous melody will sound for 4 or more seconds, according to the number of mistakes.

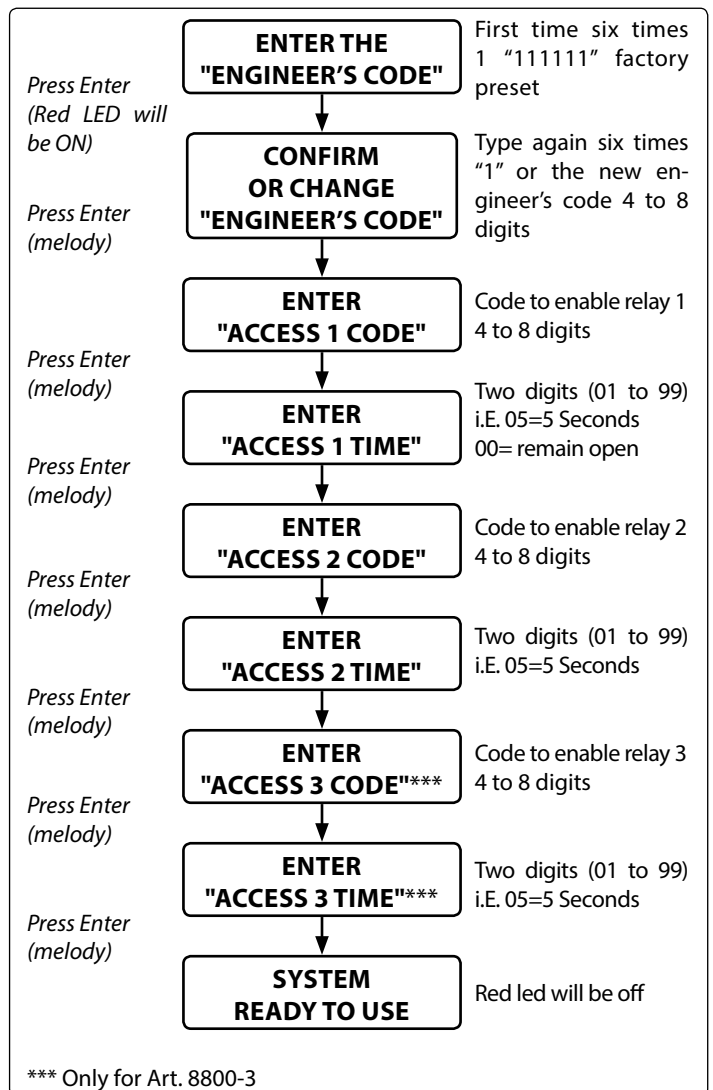
INITIALIZATION

When the installation is concluded and carried out according to the wiring diagram, power up the system and program it by following the "VX8800 PROGRAMMING" Flow Chart.

PROGRAMMING

Refer also to flow chart.

- Enter "ENGINEER'S CODE": first time type six times "1" (111111 factory preset) and press ENTER (The red LED will illuminate).
- Confirm "ENGINEER'S CODE" (typing again the same) or type the new code (4 to 8 digits) then press ENTER (Melody). Pressing twice the ENTER button without changing the "ENGINEER'S CODE", will exit from the programming.
- Enter the code (4 to 8 digits) to enable "RELAY 1" (ACCESS 1) or re-enter the existing code then press ENTER (Melody).
- Enter the "RELAY 1" operation time (2 digits 01 to 99 I.E. 05=5 seconds, 00= remain open time) or re-enter the existing time then press ENTER (Melody).
- Enter the code (4 to 8 digits) to enable "RELAY 2" (ACCESS 2) or re-enter the existing code then press ENTER (Melody).
- Enter the "RELAY 2" operation time (2 digits 01 to 99 I.E. 05=5 seconds, 00=remain open time) or re-enter the existing time then press ENTER (Melody).
- Enter the code (4 to 8 digits) to enable "RELAY 3" (ACCESS 3 only for Art. 8800-3) or re-enter the existing code then press ENTER (Melody).
- Enter the "RELAY 3" (only for Art. 8800-3) operation time (2 digits 01 to 99 I.E. 05=5 seconds, 00=remain open time) or re-enter the existing time then press ENTER (Melody).
- The system is ready to use (the red LED will be off).



INSTRUCTION TO RETURN SYSTEM TO PRESET ENGINEER'S FACTORY CODE

- Turn off power to code lock.
- Keep "ENTER" button pressed while turning back on the power to the code lock.
- Release "ENTER" button.
- The master code is now set at factory engineer's code "111111" (six times "1").
- Proceed with programming for a new system.

NOTES

- To switch off any relay while operating, type in the relevant code then press the "CLEAR" button.
- To operate relays together, set the same code for each relay.
- If a wrong code is entered, the system will lock out for 5 seconds which will increase each time a wrong code is entered. The system will operate only when the correct code is entered.

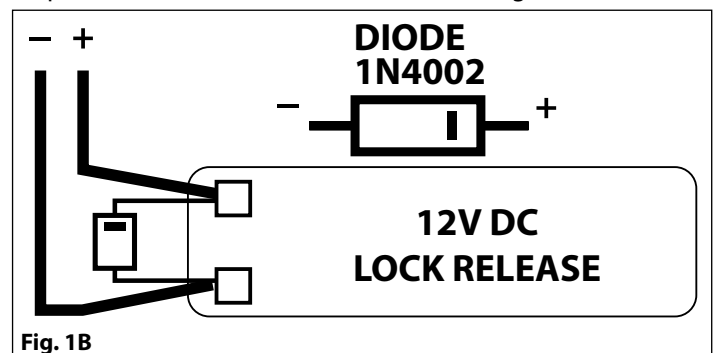
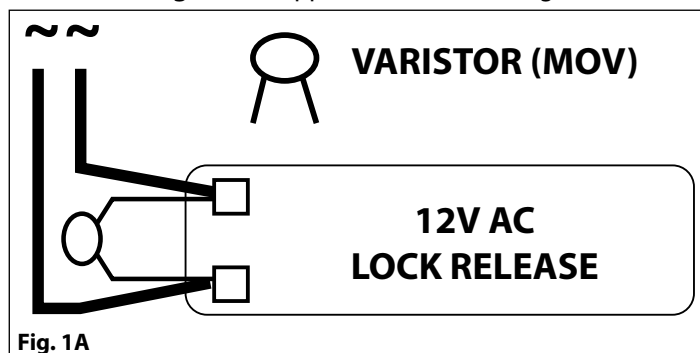
GENERAL DIRECTIONS FOR INSTALLATION

In order to achieve the best results from the schematics described it is necessary to install only original VIDEX equipment, strictly keeping to the items indicated on each schematic and follow these General Directions for Installation:

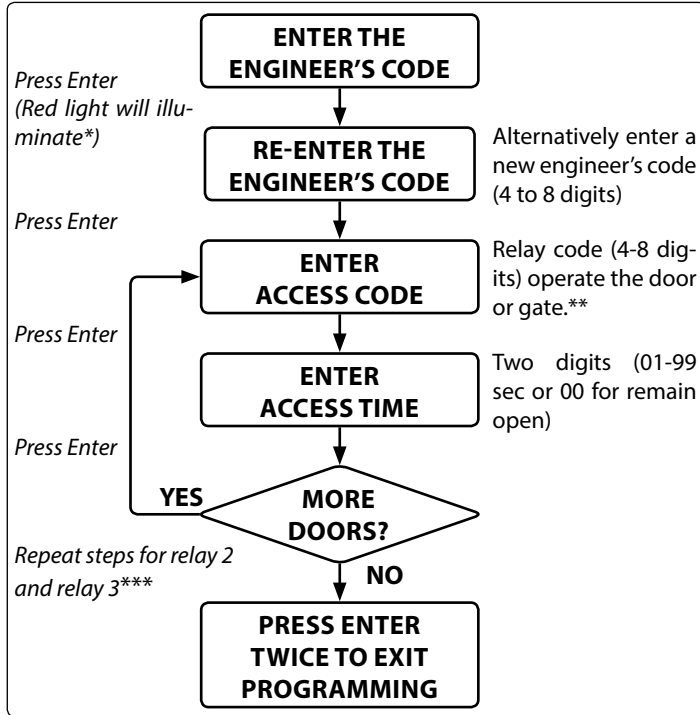
- The system must be installed according to national rules in force, in any case the running of cables of any intercom unit must be carried out separately from the mains;
- All multipair cables should be compliant to CW1308 specification (0.5mm twisted pair telephone cable).
 - » Cables for speech line and service should have a max resistance of 10 Ω
 - » Lock release wires should be doubled up (Lock release wires and power supply wires should have a max resistance of 3 Ω);
- The cable sizes above can be used for distances up to 50m. On distances above 50m the cable sizes should be increased to keep the overall resistance of the cable below the RESISTANCES indicated above;
- Double check the connections before power up;
- Power up the system then check all functions.

LOCK RELEASE BACK EMF PROTECTION

A varistor must be fitted across the terminals on AC lock release (**Fig.1A**) and a diode must be fitted across the terminals on a DC lock release (**Fig.1B**) to suppress back EMF voltages. Connect the components to the lock releases as shown in figures.



RE-PROGRAMMING GUIDE



Engineer's code	
Relay 1 code	
Relay 2 code	
Relay 3 code***	
Relay 1 time	
Relay 2 time	
Relay 3 time***	

Notes:

- * If the red light does not illuminate, the engineer's code is incorrect. Follow instructions to return system to preset engineer's factory code.
- ** On the first loop of the flow chart its relay 1, second loop is relay 2 and third loop is relay 3.
- *** Only for Art. 8800-3

ART. 8800 TERMINALS	
SW1	Relay 1 command signal (active low)
SW2	Relay 2 command signal (active low)
NC2	Relay 2 normally closed contact
NO2	Relay 2 normally open contact
C2	Relay 2 common contact
NC1	Relay 1 normally closed contact
NO1	Relay 1 normally open contact
C1	Relay 1 common contact
~/+	12/24Vac/dc power input
~-/-	

**Max
24Vac/dc
5A**

ART. 8800-3 TERMINALS	
NO3	Relay 3 normally open contact
C3	Relay 3 common contact
NC2	Relay 2 normally closed contact
NO2	Relay 2 normally open contact
C2	Relay 2 common contact
NC1	Relay 1 normally closed contact
NO1	Relay 1 normally open contact
C1	Relay 1 common contact
~/+	12/24Vac/dc power input
~-/-	

**Max
24Vac/dc
5A**

TECHNICAL SPECIFICATIONS

Power requirements: 12/24V AC/DC, 2VA

Power Consumption: On AC

Stand-by: 82mA

Operating: 125mA

On DC

Stand-by: 21.5mA

Operating: 35.0mA

Working Temperature: -10 +50° C

All intercoms wiring must run separately from the mains cable.
The cable type should be CW1308 or an equivalent cable. The cable size should comply with the table below.

DISTANCE METERS	CABLE SIZE (MM ²)
50	0.35
100	0.5
200	0.75
300	1.0
400	1.5

Max resistance of all lines: 8 Ohm

Before powering the system up, the wiring should be double checked to ensure it complies with the wiring diagram supplied.

TROUBLE SHOOTING GUIDE

In the event of the system not functioning correctly when you power up, the following points can be checked (a multimeter will be needed).

SYSTEM DEAD

- Check mains input to the transformer.
- Check the 12Vdc (+12 terminal) output from the power supply.
- Check fuses.
- Check for shorts on power supply wires.

SPEECH & LOCK WORKS BUT NO ELECTRONIC CALL TONE

- Check the link between "C" and "C1" terminals of the speaker unit.
- Call wire to terminal "4" of the handset broken or in short circuit; check the walk of the call wire.

NO SPEECH FROM THE DOOR PANEL

- Check and/or adjust the volume operating on trimmers controls on rear of speaker unit.
- Check the wire from terminal "2" of the speaker unit to terminal "2" of the handset.

NO SPEECH FROM THE HANDSET

- Check and/or adjust the volume operating on trimmers controls on rear of speaker unit.
- Check the wire from terminal "1" of the speaker unit to terminal "1" of the handset.

LOCK DOES NOT WORK

- Check on the handset the link between terminals "1" and "5".
- Check the 13Vac output on the transformer.
- Check the wires of the electric lock.
- Wires section not in conformity with the table above.

FEEDBACK PROBLEM (LARSEN EFFECT)

- Check that the handset microphone is firmly fitted inside its housing.
- Check that the speaker unit microphone is firmly fitted inside its housing and nothing is obstructing the microphone hole.
- Adjust the volume operating on trimmer controls on rear of the speaker unit.

HUM ON THE SPEECH LINES

- Check that system cables are not running close to any high voltage or mains cables.
- Check that the system is wired exactly as shown on the wiring diagram.




WE RECOMMEND THIS EQUIPMENT IS INSTALLED BY A COMPETENT ELECTRICIAN, SECURITY OR COMMUNICATIONS ENGINEER.

If further assistance is required, call the technical help desk on 0191-2243174 for uk customers or +39 0734631669 for other countries.

8000 Series Surface and flush mounting door station installation

INSTALLING A FLUSH MOUNTING DOOR STATION


1. Mount back box **S (Fig. 2)** at 165 cm from ground level (**Fig. 1**);
2. If more than one flush box is needed, connect them by using the plastic spacers provided **A (Fig. 2)**;
3. If necessary finish and clean properly the module support fixing holes and all other holes **B (Fig. 2)**;
4. A rainshield **D (Fig. 3 & 4)** can be mounted using the fixing screws **G (Fig. 4)** to conceal possible wall finishing defects and protect against rain;

 **In order to prevent water ingress we highly recommend using a silicon sealant between the wall and the back box and between the wall and the rainshield D (Fig.3);**


5. Remove the fixing screws **H (Fig. 5)** and remove the plastic cover **E (Fig. 5)** of the module support;
6. Insert the modules **F (Fig. 6)** according the required configuration;
7. Insert the microphone of the door unit amplifier into the microphone hole **X (Fig. 7)**;
8. Secure the modules by refitting the plastic cover **E (Fig. 8)** and using the screws **H (Fig. 8)**;
9. Insert the hinge **I (Fig. 9)** and fix it with the two screws **K (Fig. 9)** provided;
10. Make all connections following accurately the wiring diagram provided. Check the installation and if necessary adjust speech levels using volume controls **L (Fig. 9)**;
11. Lever the support **R (Fig. 10)** upwards and fix it to the back box with the screw **M (Fig. 11)** using an alan key **P (Fig. 11)**;
12. Conceal the screw using the plastic cover **N (Fig. 11)** provided.

INSTALLING A SURFACE MOUNTING DOOR STATION

Fix the surface box on the wall at a distance of 165 cm between the top of the box and the ground (**Fig. 1**).

 **In order to prevent water ingress we highly recommend using a silicon sealant between the wall and the back box J (Fig.12) and around all holes W (Fig.12).**

To complete the installation follow the same steps described above for the flush box.

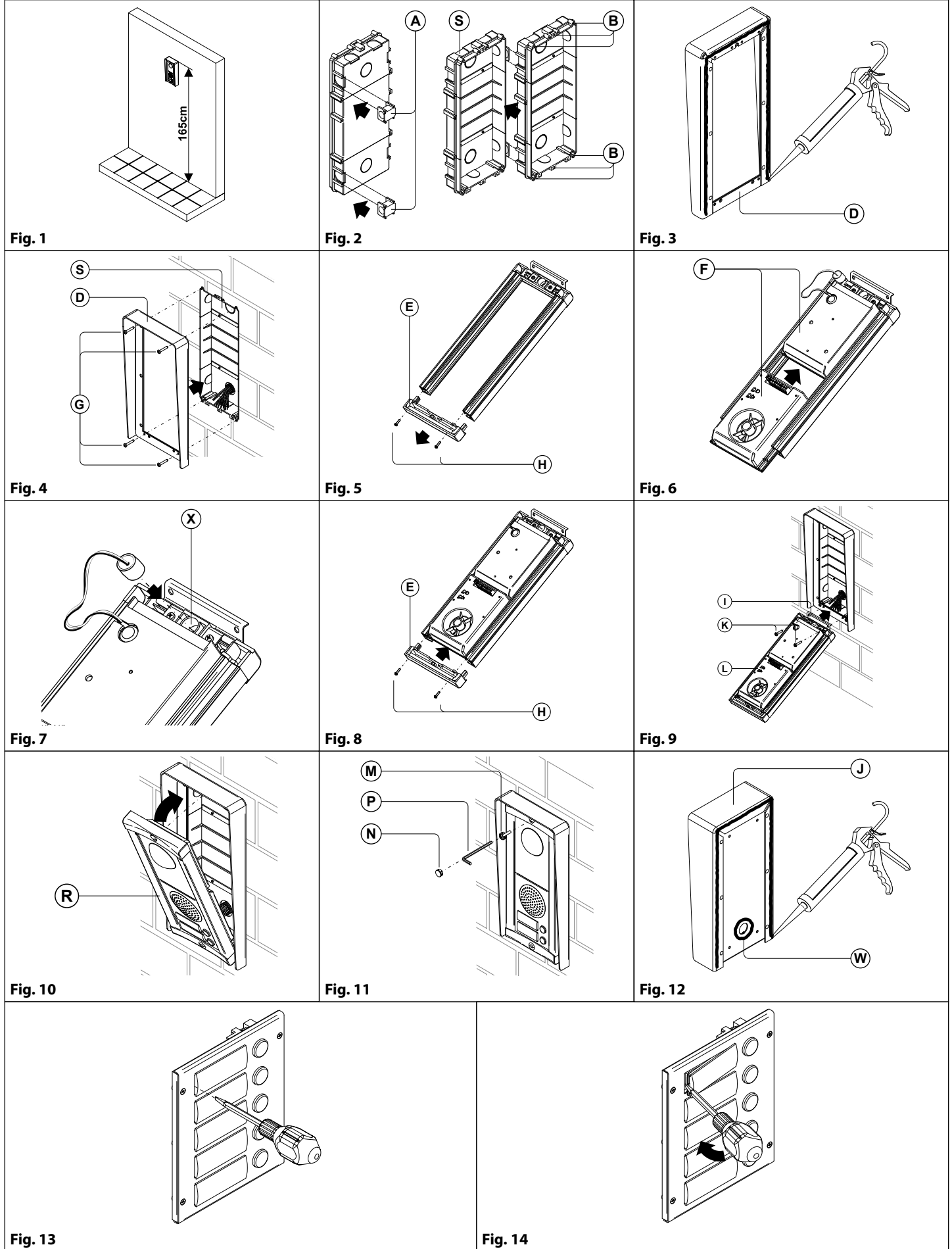
 **Note: if additional holes are made in the box or rainshield, oxidation problems may appear unless the unprotected metal is coated with a protective paint.**

HOW TO REMOVE THE CARD NAME HOLDER

- To avoid damage to the module front plate, tape the side that will be in contact with the screwdriver blade;
- Insert a flat screwdriver into the card-holder hole as shown in **Fig. 13**;
- Move the screwdriver to the left as shown in **Fig. 14** to extract the card name holder;
- Edit the card name then replace it inside the holder and refit: insert the holder inside its housing from the left or right side then push the other side until it clips into place.

8000 Series surface and flush mounting door station installation

EXAMPLE: INSTALLING A TWO MODULE OUTDOOR STATION





THE POWER TO SECURE



made in
ITALY

MANUFACTURER

VIDEX ELECTRONICS S.P.A.

Via del Lavoro, 1 - 63846 Monte Giberto (FM) Italy
Tel (+39) 0734 631669 - Fax (+39) 0734 632475
www.videx.it - info@videx.it

CUSTOMER SUPPORT

All Countries:

VIDEX ELECTRONICS S.P.A.

www.videx.it - technical@videx.it
Tel: +39 0734-631669 - Fax: +39 0734-632475

UK Customers:

VIDEX SECURITY LTD

www.videx-security.com
Tech Line: 0191 224 3174 - Fax: 0191 224 1559

Main UK office:

VIDEX SECURITY LTD

1 Osprey Trinity Park
Trinity Way
LONDON E4 8TD
Phone: (+44) 0870 300 1240
Fax: (+44) 020 8523 5825
www.videx-security.com
marketing@videx-security.com

Northern UK office:

VIDEX SECURITY LTD

Unit 4-7
Chillingham Industrial Estate
Chapman Street
NEWCASTLE UPON TYNE - NE6 2XX
Tech Line: (+44) 0191 224 3174
Phone: (+44) 0870 300 1240
Fax: (+44) 0191 224 1559

Greece office:

VIDEX HELLAS Electronics

48 Filolaou Str.
11633 ATHENS
Phone: (+30) 210 7521028
(+30) 210 7521998
Fax: (+30) 210 7560712
www.videx.gr
videx@videx.gr

Danish office:

VIDEX DANMARK

Hammershusgade 15
DK-2100 COPENHAGEN
Phone: (+45) 39 29 80 00
Fax: (+45) 39 27 77 75
www.videx.dk
videx@videx.dk

Benelux office:

VIDEX BENELUX

E3 laan, 93
B-9800 DEINZE
Phone: (+32) 9 380 40 20
Fax: (+32) 9 380 40 25
www.videxbenelux.be
info@videxbenelux.be



The product is CE marked demonstrating its conformity and is for distribution within all member states of the EU with no restrictions. This product follows the provisions of the European Directives 2014/30/EU (EMC); 2014/35/EU (LVD); 2011/65/EU (RoHS); CE marking 93/68/EEC.