



BSR-5032 Addressable siren with beacon for fire detection panel



TECHNICAL CHARACTERISTICS

OPERATION VOLTAGE	21-28V DC
STANDBY CONSUMPTION	1mA
AVERAGE CONSUMPTION	20mA
SOUND OUTPUT in1m	87dB with jumpers / 78dB without jumper
TYPE OF APPLICATION ENVIRONMENT	Type A
DEGREES OF COVER PROTECTION	IP42
PRODUCED IN ACCORDANCE WITH	EN 54-3
OPERATION TEMPERATURE RANGE	-20 to 60 °C
RELATIVE HUMIDITY	Up to 95%
CONSTRUCTION MATERIAL	ABS/PC, PC
EXTERNAL DIMENSIONS	141 x 141 x 95 mm
TYPICAL WEIGHT	215gr.
GUARANTEE	2 years

Congratulations for your selection to buy this product. Olympia Electronics - European manufacturers.

GENERAL

BSR-5032 is an addressable siren unit, that has a sound indicator and a beacon. It works only with the panels for the BSR-2100 series. BSR-5032 is recognized and programmed from the panel as a programmable siren. The panel references the SIREN unit with the name "SIREN". A red colored LED that blinks periodically in standby mode, is a power indication LED and indicator for the good operation of the device. When a device issues an alarm the LED lights continuously. When we silence the sirens, the LED remains lit to show us the device which issued the alarm. The LED goes off when you RESET the panel.

Each device has an address with which it is recognized from the panel. It is forbidden for two devices with same address to be connected to the same loop. The page 3, contain all the available address settings we can choose, by using the micro-switches. On each panel we can connect up to 127 BSR-5032 devices.

The siren is mounted with the screws which are in the packing box. It is installed indoors at a height of 2 - 3 metres from the floor.

The addressable siren unit can be set to addresses from 1-127.

Installation

To install the device, follow the installation instructions on page 4.

Volume adjustment

There are two jumpers on PCB A and B (Sound dB) which the volume and consumption is adjusted. I.e

A) If the two jumpers are not installed, then when the siren will be active the sound volume will be at 78dB/1m and the consumption will be 8mA.

B) If the two jumpers are installed, then when the siren will be active the sound volume will be at 87dB/1m and the consumption will be 20mA.

The main tone frequency is 2.5kHz (±20%).

Certification

The addressable siren unit BSR-5032 is certified from EVPU. Also EVPU controls the production under CPD number:

BSR-5032 **Addressable** 
siren with beacon 1293

1293-CPD-0357 **12**
EN-54-3



P.C. 60300 P.O. Box 06 Eginio Pierias Greece

Indicating LED.
It turns on and off sequentially on stand-by mode.
Lights steadily in case of an alarm given by a connected detector .
Turns off only after a Reset command

Sound adjustment jumpers (Sound dB)
 When they are in the (OFF) position the sound volume is at 78dB/1m, and the consumption is 8mA.
 When they are in the (ON) position the sound volume is at 87dB/1m and the consumption is 20mA.

Micro-switches that determine the address (1-7).
 Micro-switch that determines the mode (8).

Beacon of siren with 7 high illumination LEDs

Sound output with buzzer 87dB

Connection terminal block with the loop.

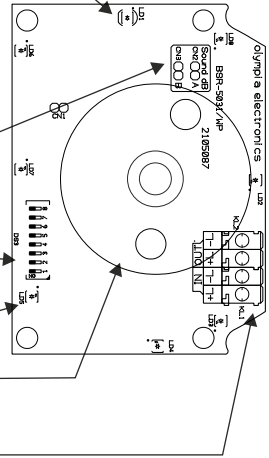


Figure 1

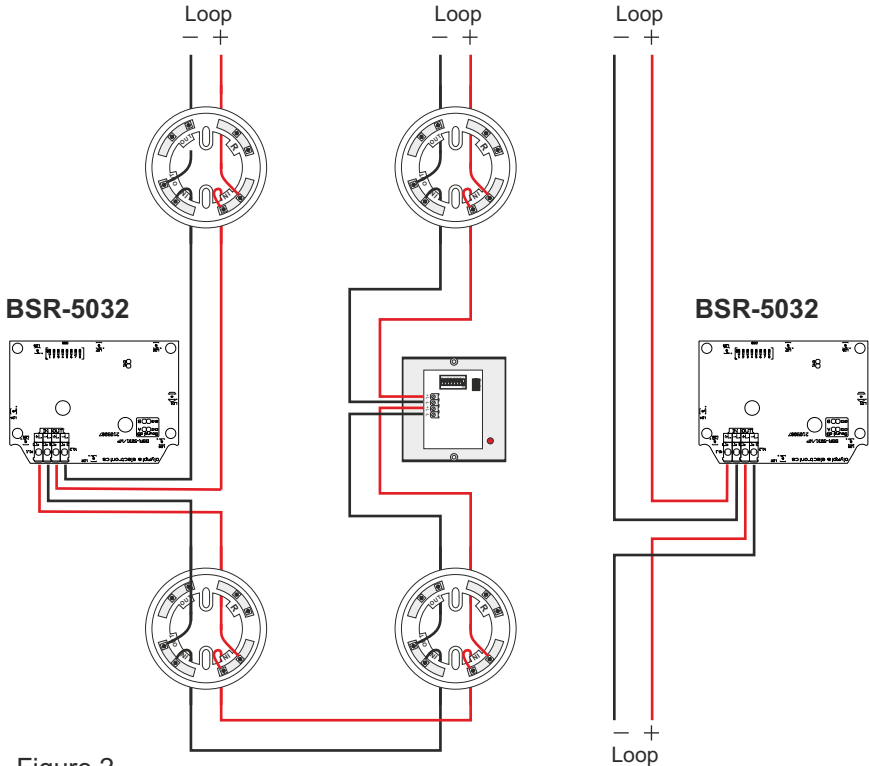


Figure 2

Address	Dipswitch setting	Address	Dipswitch setting	Address	Dipswitch setting	Address	Dipswitch setting	Address	Dipswitch setting
1		31		61		91		121	
2		32		62		92		122	
3		33		63		93		123	
4		34		64		94		124	
5		35		65		95		125	
6		36		66		96		126	
7		37		67		97		127	
8		38		68		98			
9		39		69		99			
10		40		70		100			
11		41		71		101			
12		42		72		102			
13		43		73		103			
14		44		74		104			
15		45		75		105			
16		46		76		106			
17		47		77		107			
18		48		78		108			
19		49		79		109			
20		50		80		110			
21		51		81		111			
22		52		82		112			
23		53		83		113			
24		54		84		114			
25		55		85		115			
26		56		86		116			
27		57		87		117			
28		58		88		118			
29		59		89		119			
30		60		90		120			

Installation and Connection

1. First, remove the retaining screw, place a flat blade screwdriver in the holes of the plastic hooks and remove the plastic cover (Image 1).
2. Use the supplied mounting parts to install the siren's base on the wall. Place the plastic plugs and fasten the screws to the mounting holes.
3. Place the caps and make a hole in the center using a small screwdriver. Pass through the caps the cables to connect the device.
4. Connect the siren as shown in figure 2 (page 2). Similarly all sirens are connected in parallel (the maximum number depends on the panel).
5. Refit the plastic cover until the plastic hooks are securely attached (step 1) and fasten the retaining screw (torque 0,6Nm).
6. Test the device after installation.



Image 1



Image 2

Operation Mode	Dipswitch setting
Slow rate of buzzer sound	 ON 1 2 3 4 5 6 7 8
Fast rate of buzzer sound	 ON 1 2 3 4 5 6 7 8



NOTE!!! After finishing the installation, place the SEAL sticker as shown in the picture.

Sound adjustment jumpers (dB)
The factory setting for the jumpers is in the (OFF) position



WARRANTY

Olympia Electronics guarantees the quality, condition and operation of the goods. The period of warranty is specified in the official catalogue of Olympia Electronics and also in the technical leaflet, which accompanies each product. This warranty ceases to exist if the buyer does not follow the technical instructions included in official documents given by Olympia Electronics or if the buyer modifies the goods provided or has any repairs or re-setting done by a third party, unless Olympia Electronics has fully agreed to them in writing. Products that have been damaged can be returned to the premises of our company for repair or replacement, as long as the warranty period is valid.

Olympia Electronics reserves the right to repair or to replace the returned goods and to or not charge the buyer depending on the reason of defection. Olympia Electronics reserves the right to charge or not the buyer the transportation cost.

HEAD OFFICE

72nd km. O.N.R. Thessaloniki-Katerini
P.C. 60300 P.O. Box 06 Eginio Pierias Greece
www.olympia-electronics.gr
info@olympia-electronics.gr