



Essential LEDspot MR16

ESS LED MR16 4.5-50W 36D 830 SO 100-240V

Essential LEDspots MR16 are compatible with most existing fixtures with a GU5.3 socket and are designed as a retrofit replacement for halogen spots. Essential LEDspots MR16 deliver significant energy savings and minimize initial investment.

Product data

General Information		Power Consumption	
Cap-Base	GU5.3 [GU5.3]	Wattage Equivalent	50 W
Nominal lifetime	15,000 hour(s)	Starting Time (Nom)	0.5 s
Switching Cycle	50,000	Warm-up time to 60% light	0.5 s
Lighting Technology	LED	Power Factor (Fraction)	0.4
		Voltage (Nom)	100-240 V
Light Technical		Temperature	
Color Code	830 [CCT of 3000K]	T-Case Maximum (Nom)	65 °C
Beam Angle (Nom)	36 degree(s)		
Luminous Flux	400 lumen	Controls and Dimming	
Luminous Intensity (Nom)	700 cd	Dimmable	No
Color Designation	White (WH)	Mechanical and Housing	
Correlated Color Temperature (Nom)	3000 K	Bulb Shape	MR16 [2inch/50mm]
Luminous Efficacy (rated) (Nom)	88.00 lm/W	Approval and Application	
Color Consistency	<6	Suitable For Accent Lighting	Yes
Color rendering index (CRI)	80	Energy Consumption kWh/1000 h	- kWh
LLMF At End Of Nominal Lifetime (Nom)	70 %	EU RoHS compliant	Yes
Operating and Electrical			
Line Frequency	50 to 60 Hz		
Input Frequency	50 to 60 Hz		

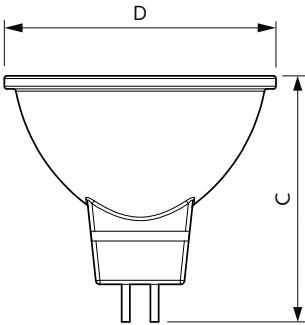
Essential LEDspot MR16

Product Data

Full product code	871869681163400
Order product name	ESS LED MR16 4.5-50W 36D 830 SO 100-240V
Order code	929001874012
Numerator - Quantity Per Pack	1
Numerator - Packs per outer box	10

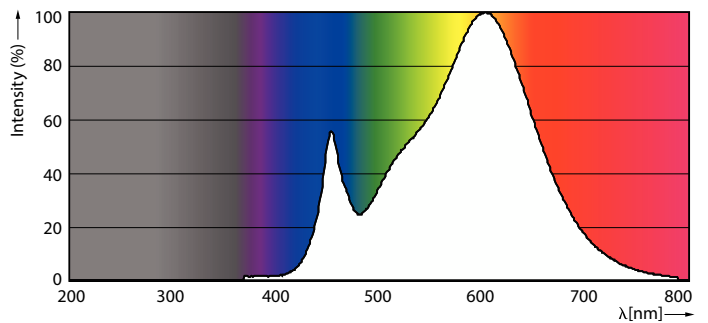
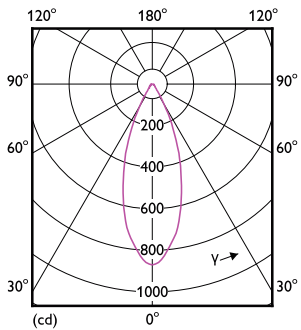
Material number (12NC)	929001874012
Full product name	ESS LED MR16 4.5-50W 36D 830 SO 100-240V
EAN/UPC - Case	50046677535013

Dimensional drawing



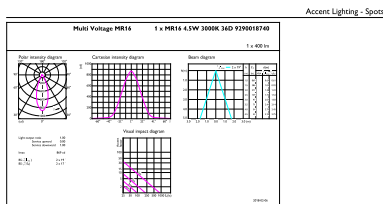
Product	D	C
ESS LED MR16 4.5-50W 36D 830 SO 100-240V	50.5 mm	46.5 mm

Photometric data



Light Distribution Diagram - ESS LED MR16 4.5-50W 36D 830 SO 100-240V

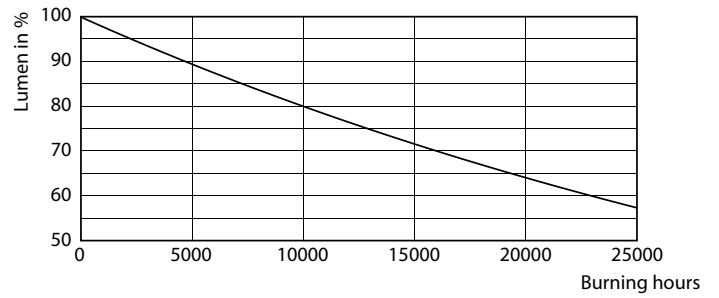
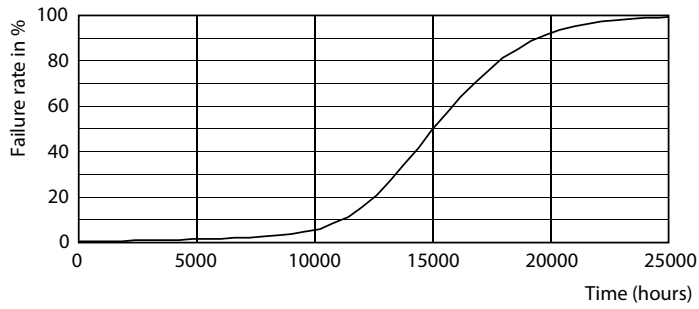
Spectral Power Distribution Colour - ESS LED MR16 4.5-50W 36D 830 SO 100-240V



Accent Lighting Spots - ESS LED MR16 4.5-50W 36D 830 SO 100-240V

Essential LEDspot MR16

Lifetime



Life Expectancy Diagram - ESS LED MR16 4.5-50W 36D 830 SO 100-240V

Lumen Maintenance Diagram - ESS LED MR16 4.5-50W 36D 830 SO 100-240V

